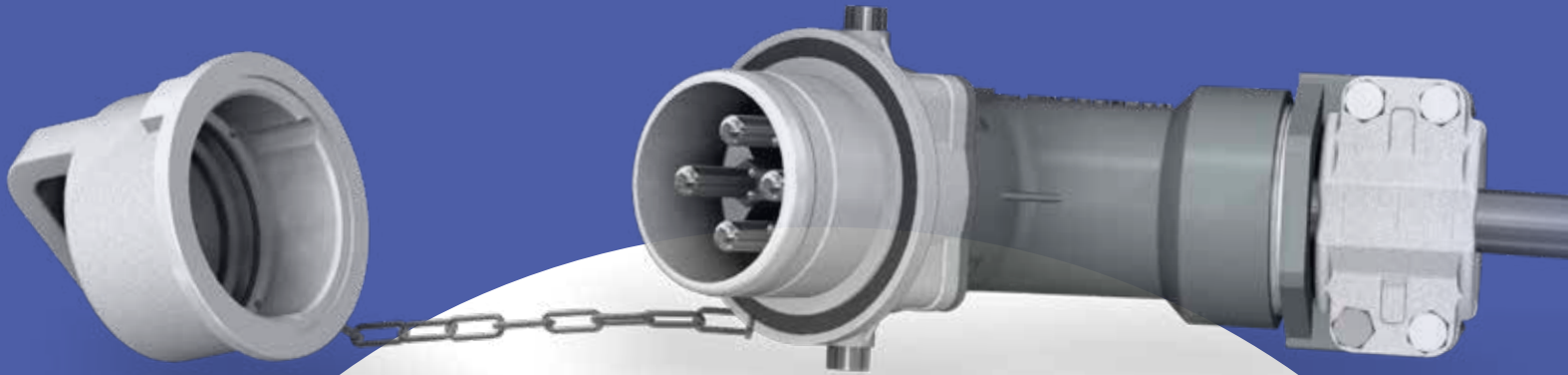




PROCONNECT[®]



e shore

Low voltage

IEC 60309-1
IEC 60529



3PX4 - LV



IK10



Metal



IP67



max. 200 A
max. 1 kV



-30° +60°C

Low voltage

IEC 80005-3
IEC 60309-5



3PX5 - LV



IK10



Metal



IP67



max. 350 A
max. 690 V



-30° +60°C

Container ship

IEC 80005-1
Annex D
IEC 62613-2
Annex I



3PX5 - MV



IK10



Metal



IP67



max. 350 A
max. 7,2 kV



-30° +60°C

Cruise neutral

IEC 80005-1
Annex C
IEC 62613-2
Annex H



3PXU



IK10



Metal



IP67



max. 250 A
max. 11 kV



-30° +60°C

Cruise 12 kV

IEC 80005-1
Annex C
IEC 62613-2
Annex G



3PX6



IK10



Metal



IP67



max. 500 A
max. 12 kV



-30° +60°C

RORO Ferry

IEC 80005-1
Annex B
IEC 62613-2
Annex J



3PX7 RORO



IK10



Metal



IP67



max. 500 A
max. 12 kV



-30° +60°C

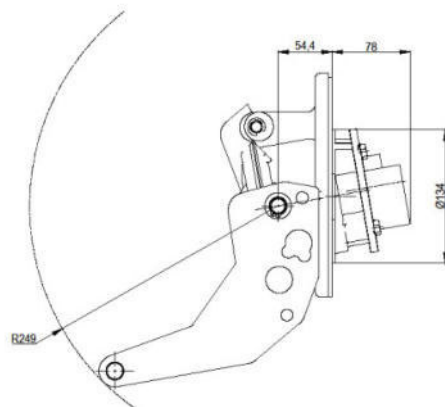
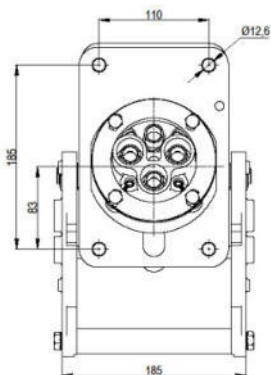
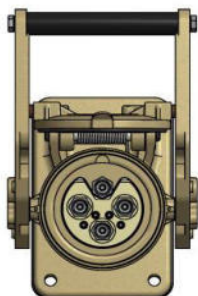
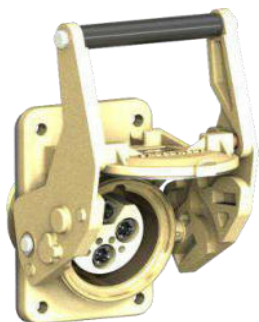
PROCONNECT® LOW VOLTAGE : 3PX5 LV

Amperage max.
 Voltage
 Contacts (max.)
 Cable section max.
 Cable diameter
 Terminations
 Casings
 aluminium
 Contacts
 Insert
 Fastenings
 Locking
 Temperature range
 Short circuit capacity
 peak=
 Standards

350A
 690V (+15%)
 3P+E+4p
 185mm² max.
 80 mm max.
 To crimp or solder
 Corrosion proof cast
 Copper alloy
 Neopren
 Stainless steel
 Cam push-pull device
 - 30° + 60°c
 withstand 16kA, 1 second, Isc
 40kA
 IP66/67 – IK10
 IEC 60309-5 IEC/IEEE 80005-3

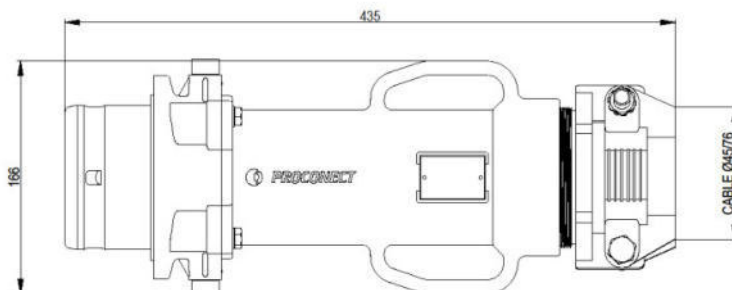
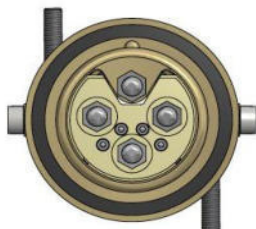
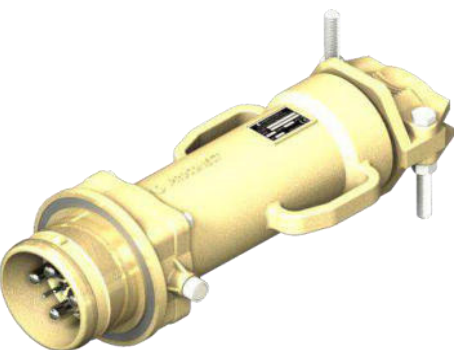
PANEL MOUNTING SOCKET

WEIGHT : 5.3 KG



STRAIGHT PLUG

WEIGHT : 4.9 KG



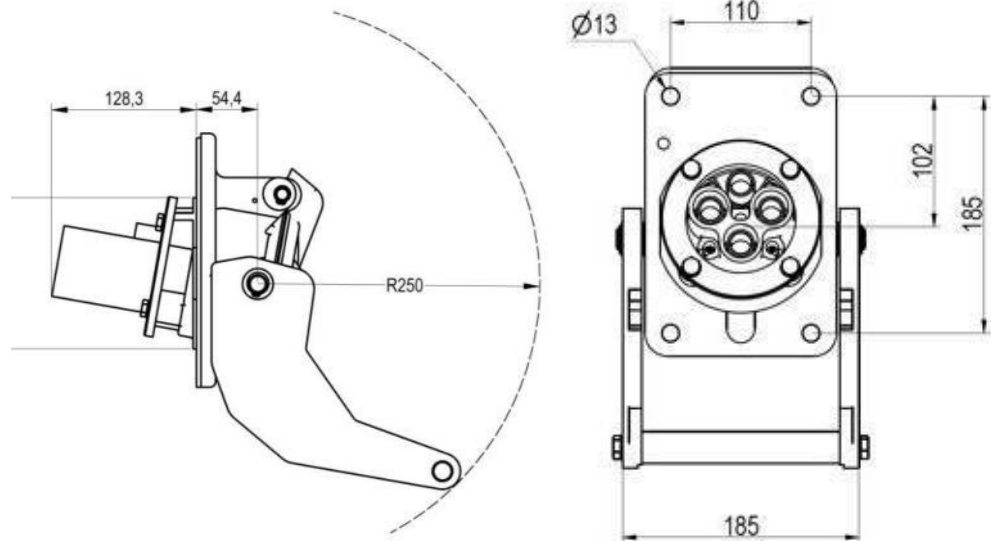
**NE PAS DECONNECTER
EN CHARGE
DO NOT DISCONNECT ON
LOAD**

Intensité. / Amp. max.
Tension / voltage max.
Contacts max.
Cable section max.
Cable section pilot
Cable diameter max.
Raccordement / Terminations
Carcasse / Casing
Contacts
Isolant / Insert
Visserie / Fastenings
Verouillage / Locking
Temperature
Ind. protection
Standards

350A
7,2 kV
3P+E+3p
185mm² (3P+E)
4mm²
80 mm
à sertir, souder /To crimp, solder
AS7G
Cuivre argenté / silver plated copper
Polyamide
Inox / Stainless steel
par bras levier / Cam push-pull device
- 30° + 60°c
IP67 – IK10
IEC 60529 IEC 80005-1 IEC 62613-1 IEC 62613-2

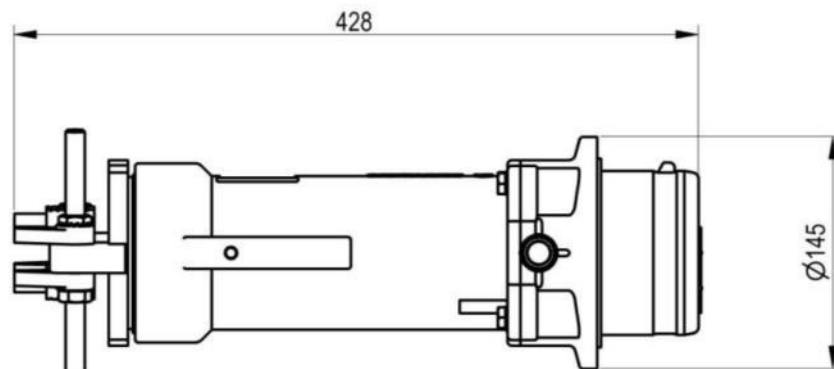
**EMBASE A ENCASTRER
PANEL MOUNTING SOCKET
X5Dxxx**

POIDS / WEIGHT : 5,04 KG



**FICHE DROITE / STRAIGHT PLUG
X5PxxxSxxx**

POIDS / WEIGHT : 4,7 KG



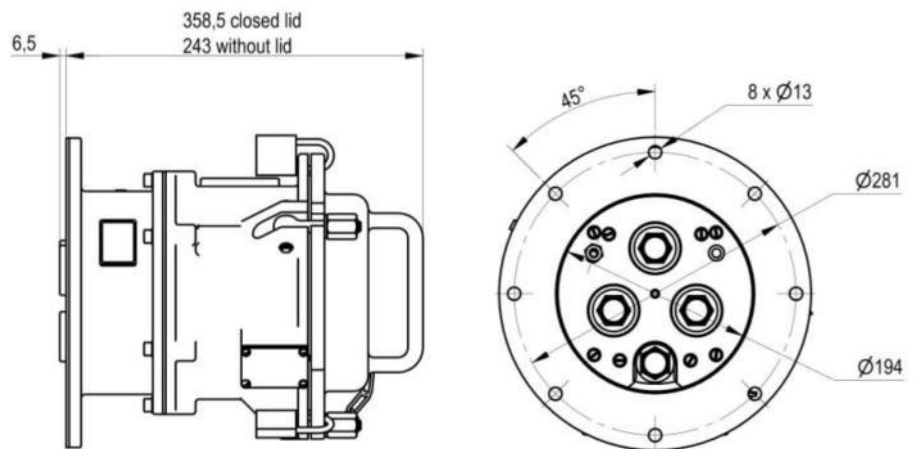
**NE PAS DECONNECTER
EN CHARGE
DO NOT DISCONNECT ON
LOAD**

Intensité. / *Amp.* max.
Tension / *voltage* max.
Court circuit/Short circuit cour.
Contacts max.
Cable section max. (phases)
Cable section max (pilot pins)
Cable diameter max.
Raccordement / *Terminations*
Carcasse / *Casing*
Contacts
Isolant / *Insert*
Visserie / *Fastenings*
Verouillage / *Locking*
Temperature
Ind. protection
Standards

500A
12 kV
25kA r.m.s/1s
3P+E+1p
240mm² (3P+E)
25mm²
100 mm
à sertir, ou souder /*To crimp or solder*
Corrosion proof cast aluminium
Cuivre argenté / *silver plated copper*
POM
Inox / *Stainless steel*
par 3 vis DIN 444/ *with 3 DIN 444 screws*
- 30° + 60°c
IP66/IP67 – IK10
IEC 80005-1 ANNEX C / IEC 62613-2 ANNEX G/H

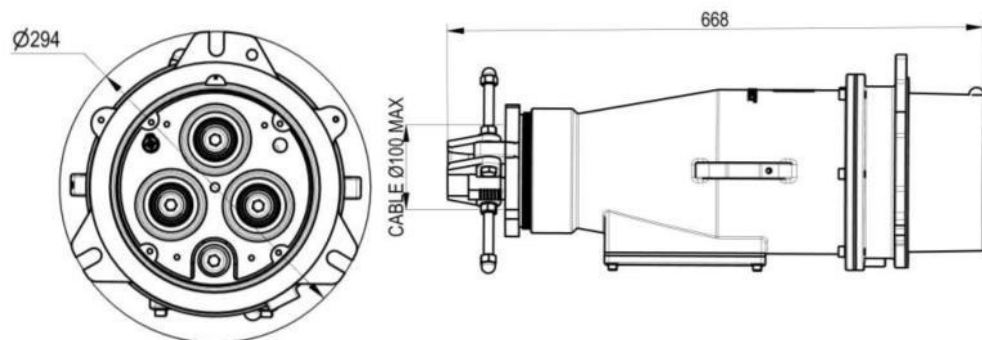
**EMBASE A ENCASTRER
PANEL MOUNTING SOCKET**

POIDS / *WEIGHT* : 15,2 kg



**FICHE DROITE
STRAIGHT PLUG**

POIDS / *WEIGHT* : 14,50 KG



7,2KV (NEUTRAL) CRUISE

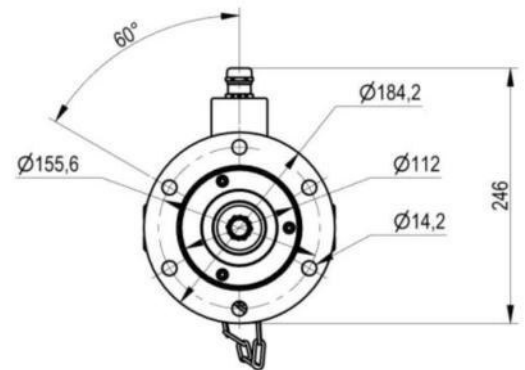
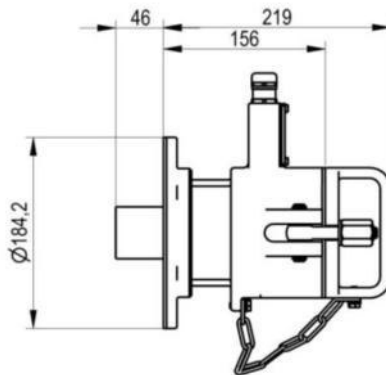
**NE PAS DECONNECTER
EN CHARGE
DO NOT DISCONNECT ON
LOAD**

Intensité. / *Amp. max.*
Tension / *voltage max.*
Contacts max.
Cable section max. (phases)
Cable diameter max.
Raccordement / *Terminations*
Carcasse / *Casing*
Contacts
Isolant / *Insert*
Visserie / *Fastenings*
Verouillage / *Locking*
Temperature
Ind. protection
Standards

250A
7,2 kV
1P
240mm²
62 mm
à sertir, ou souder / *To crimp or solder*
Corrosion proof cast aluminium
Cuivre argenté / *silver plated copper*
POM
Inox / *Stainless steel*
par 2 vis DIN 444/ *with 2 DIN 444 screw*
- 30° + 60°c
IP66/IP67 – IK10
IEC 80005-1 ANNEX C / IEC 62613-2 ANNEX H

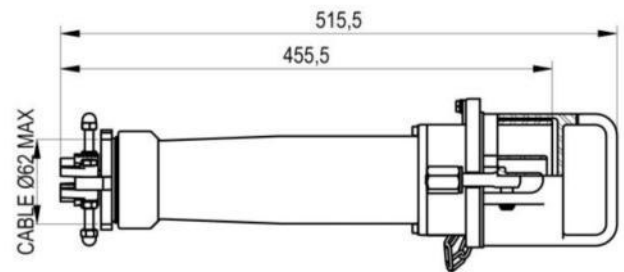
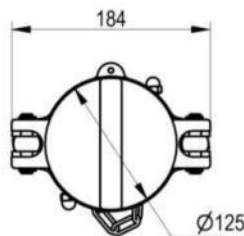
EMBASE A ENCASTRER PANEL MOUNTING SOCKET

POIDS / *WEIGHT* : 3,6 KG



FICHE DROITE STRAIGHT PLUG

POIDS / *WEIGHT* : 4,7 KG

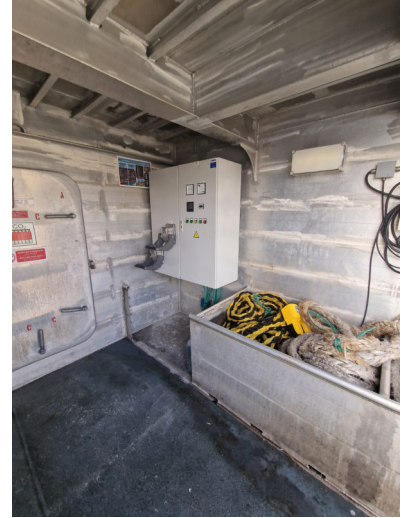




Instalación OPS en los muelles 13, 15 y 17 del Puerto de Alicante.



Armario semi-acabado e instalado en Fast Ferry.



Armario BT/LV instalado en Ferry de Armas.

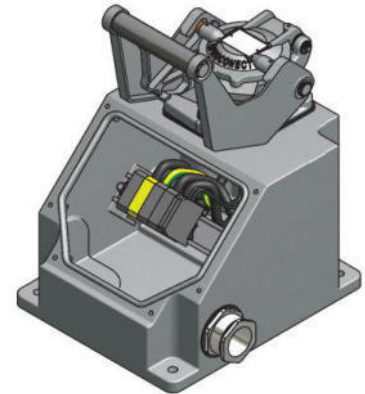
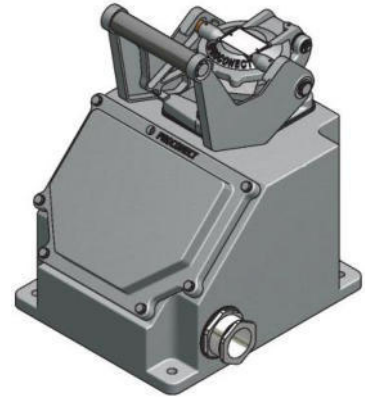
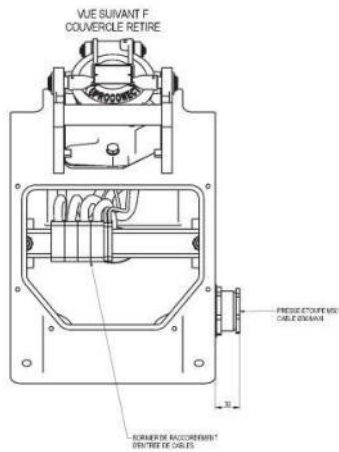
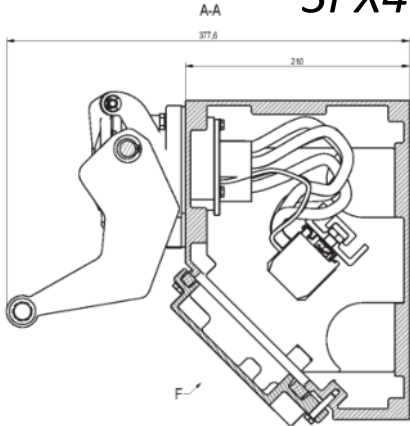


Armario BT/LV en buque de NAVANTIA.

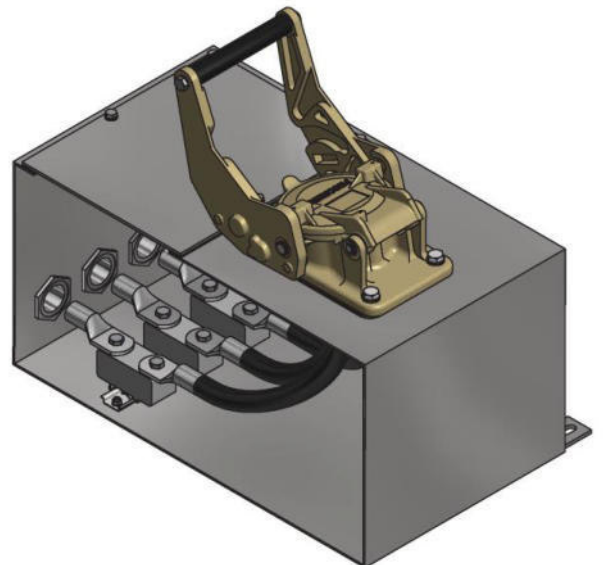
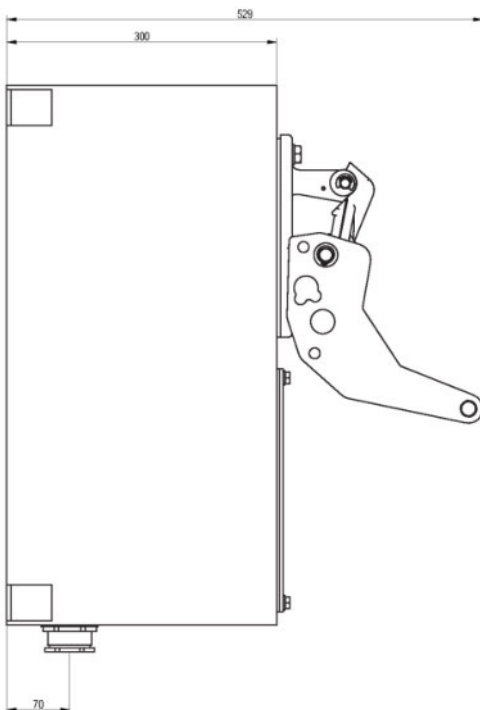


Enrollador BT/LV para el Puerto de Palma de Mallorca.

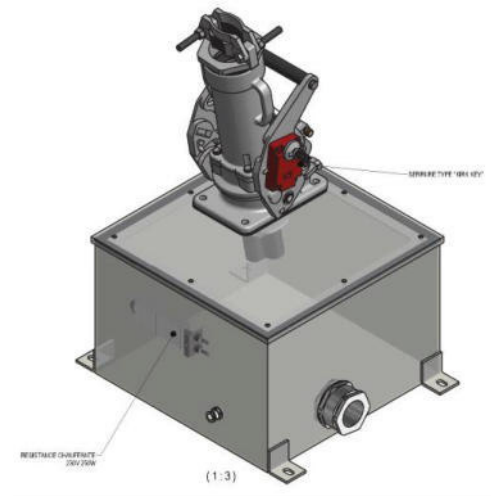
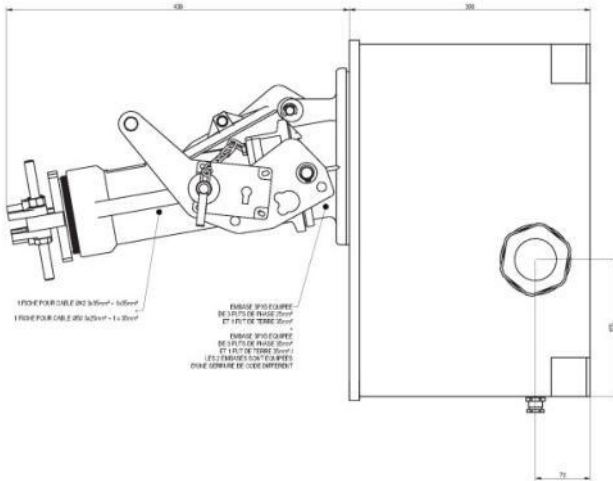
COFFRET 250A/440V AVEC BORNIER 3PX4 ON WALL BOX + TERMINALS



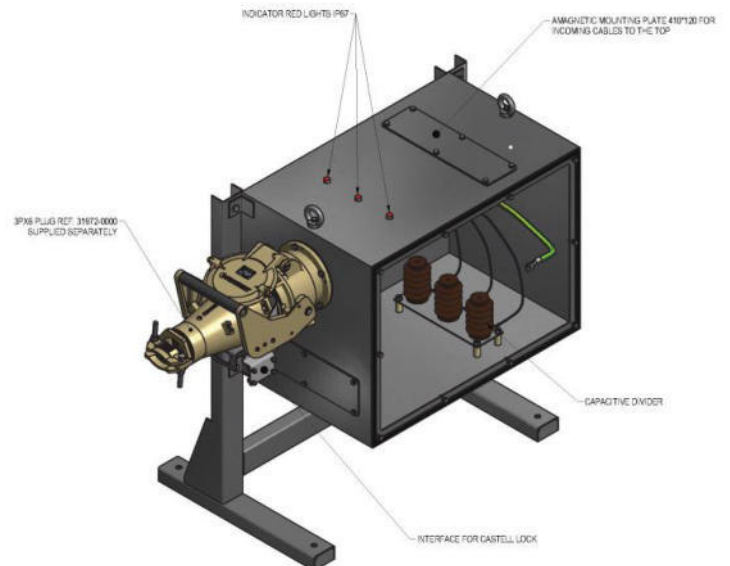
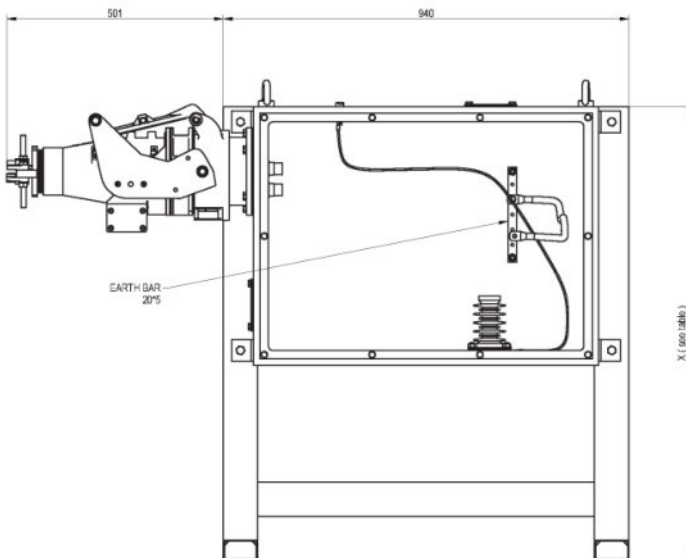
COFFRET 420A 440V AVEC BORNIER 3PX5 ON WALL BOX WITH TERMINAL



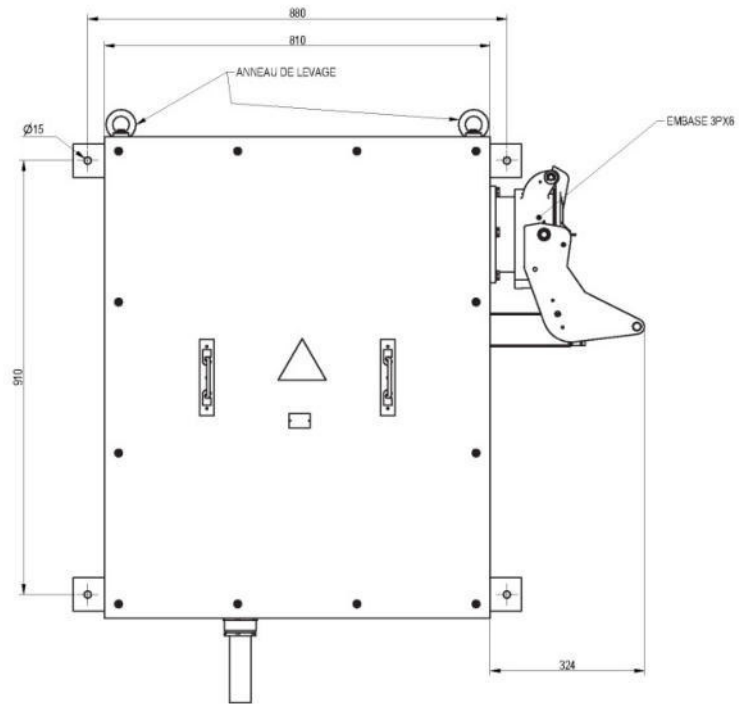
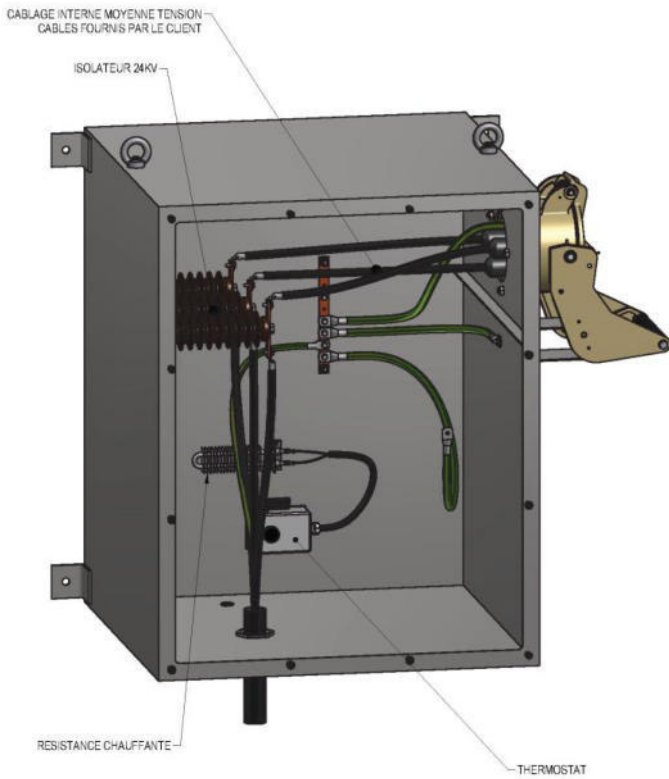
COFFRET 7.2 kV 125A
AVEC SERRURE ET RESISTANCE CHAUFFANTE
3PX5 7.2 KV ON WALL BOX WITH PADLOCK AND HEATING



COFFRET 11 KV 300A
AVEC SERRURE ET DERIVATION CON. FIBRES OPTIQUES
3PX6 11KV ON WALL BOX + PADLOCKING AND F.O DERIVATION

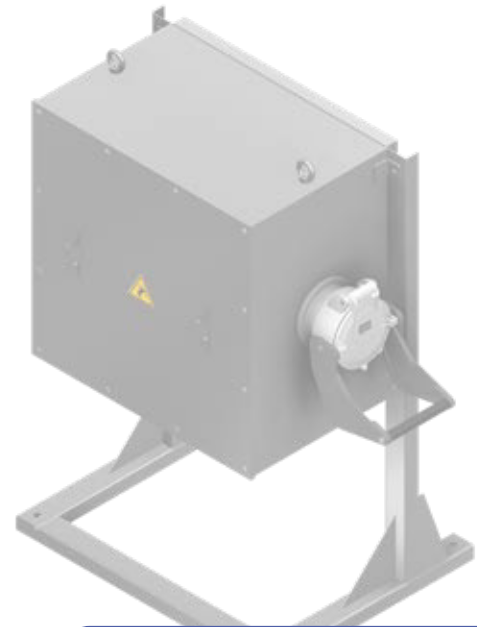


COFFRET 24kV 350A AVEC SERRURE ET RESISTANCE CHAUFFANTE 3PX6 24kV 350A WITH PADLOCK AND HEATING





SHIP TO SHORE CONNECTION



ALL PLUGS AVAILABLE IN DOCKSIDE CRANE CONNECTION BOXES



DECARBONIZATION
REDUCING CO²
EMISSIONS IN
PORTS

ARTICULATED
ARM



PROCONNECT ESPAÑA
Apdo. Correos, 161.
48100 - MUNGIA-VIZCAYA
ESPAÑA
Tel. : +34 94 480 03 71
proexsa@proexsa.net
www.proconnect.fr

THEY RELY ON US



OUR PARTNERSHIPS

