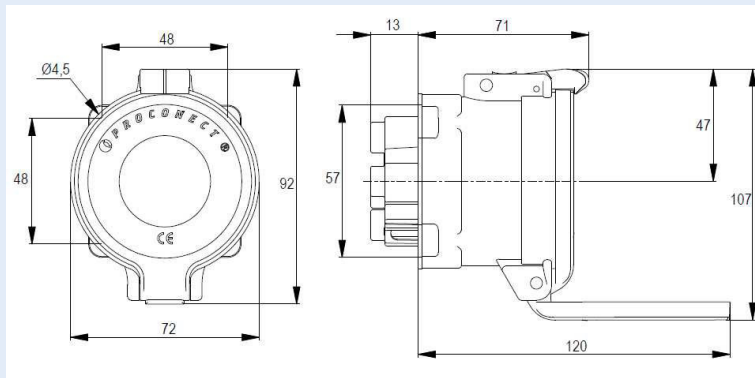


# 3PS 1YD

## FOR STAR DELTA APPLICATION



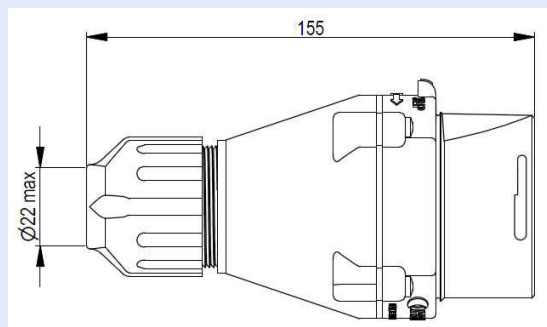
Socket 3PS1D6OE



Weight : 0.270 kg



Plug 3PS1P6OE



Weight : 0.250 kg

Amperage : 30 amp. Max

Voltage : 500 V max.

Contacts : 6P+E

IP66 IK8

AC23

Cable section : 6mm<sup>2</sup> (flexible) 10<sup>2</sup> (stranded) max.

Cable diam. : 18 or 25 mm max.

Screw type terminal

ZAC de la Pentecôte 7-9-11 rue Jean Rouxel Lot n°13 44700 ORVAULT France

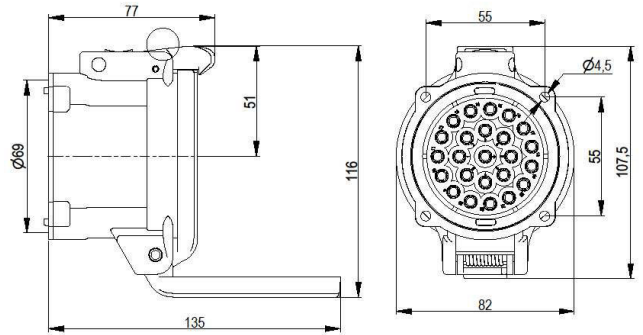
Tel. : +330240.163.560 Fax. : +330240.327.068 [www.proconnect.com](http://www.proconnect.com)

Contacto en España - Tfno: 94 480 03 71 Mov: 671 688 342 - [proexsa@proexsa.net](mailto:proexsa@proexsa.net)

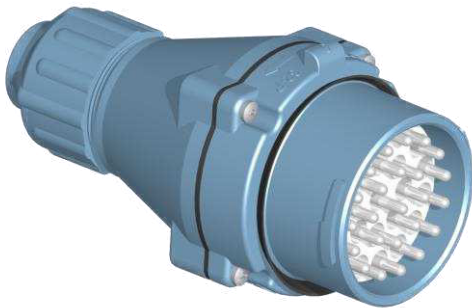
# 3PS3 23+E



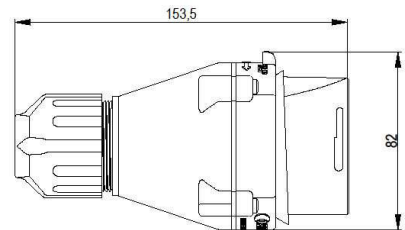
Socket 3PS3D-23E



Weight : 0.260 kg



Plug 3PS3P-23E



Weight : 0.326 kg

Amperage : 30 amp. max

Voltage : 500 V max.

Contacts : 23P+E

IP66 IK8

Cable section : 6mm<sup>2</sup> max.

Cable diam. : 18 mm max.

Terminations : To crimp or solder

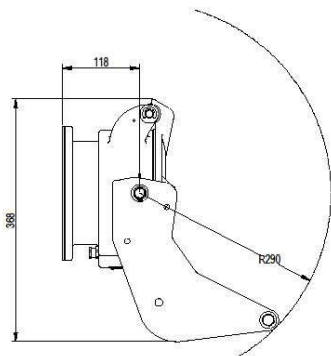
# 3PX6



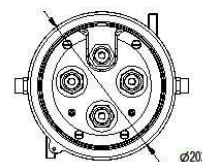
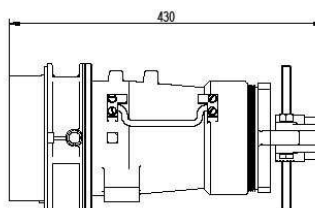
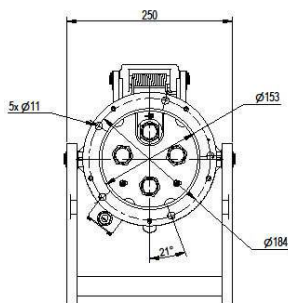
**PANEL MOUNTING SOCKET**



**PLUG**



Weight : 7.5 kg



Weight : 8.3 kg

Amperage : 650A max

Voltage : 3.3 kV max

Contacts : 3P+N+E+2p

Cable : 300 mm<sup>2</sup> max.

Cable diameter : 100 mm max.

Terminations : to crimp or solder

Casing : Corrosion proof cast aluminium

Cam push pull device

IP67 IK10

Standards, : IEC 60309-1 NFC 63300 IEC 60529

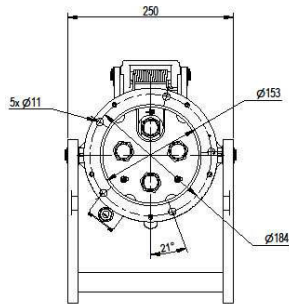
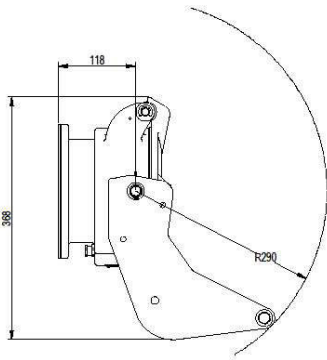
# 3PX6 MV



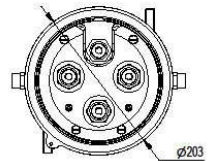
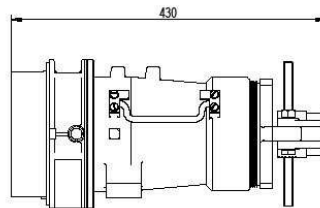
**PANEL MOUNTING SOCKET**



**PLUG**



Weight : 7.5 kg



Weight : 8.3 kg

Amperage : 320A max  
Voltage : 11 kV max  
Contacts : 3P+E+2p  
Cable : 95 mm<sup>2</sup> max.  
Cable diameter : 80 mm max.  
Terminations : to crimp or solder  
Casing : Corrosion proof cast aluminium  
Cam push pull device  
IP67 IK10

Standards, : HD 629.1 S2 IEC 60529